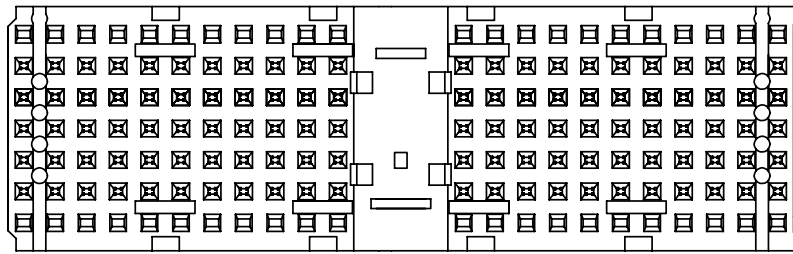


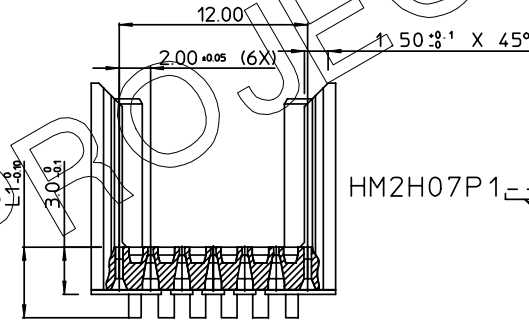
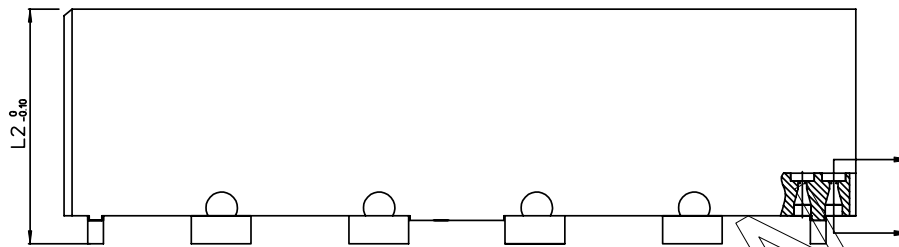
GEN. ST.	01	02	03	04	05	06	07	08	0D	50	60	70	80	90																	
INT. ST.	10	11	12	13	14	18	20	31	32	33	34	38	39	40	42	43	44	45	46	48	56	70	72	73	75	76	81	82	83	84	88

REV.	DATE	DESCRIPTION	BY	C'K'D'
A	2001-09-14	CONVERSION REVISION 09	KN	
B	2004-09-23	104-0088	ALEX B	BKP
C	2005-11-21	105-0241	ALEX B	BKP
D	2006-07-04	106-0096	VIVEK	BKP

- NOTES: 1. MEASURED AT THE BOTTOM
 2. MATERIAL: GLASSREINFORCED POLYESTER UL94 - V0
 3. THE 'LF' PRODUCT MEETS EUROPEAN UNION DIRECTIVES AND OTHER COUNTRY REGULATIONS AS DESCRIBED IN GS 22-008
 4. PARTS WITH AND WITHOUT SUFFIX LF TO THE PRODUCT PART NUMBER ARE IDENTICAL IN FORM, FIT AND FUNCTION. LF SUFFIX IS ADDED TO THE PART NUMBER OF THIS PRODUCT TO HAVE UNIFORM IDENTIFICATION OF ALL RoHS COMPATIBLE PRODUCTS.



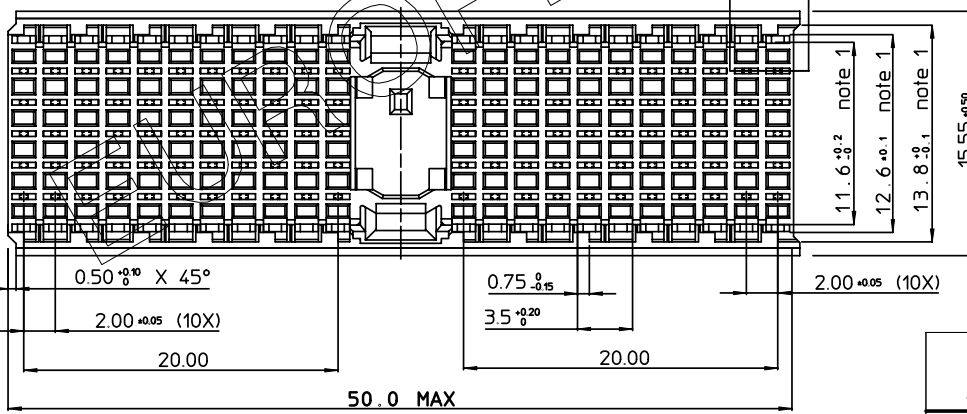
ABRIDGED CAT No MARKED



RoHS COMPATIBLE (DIGIT 11 & 12)

HM2H07P1--LF

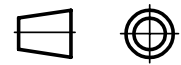
STANDOFF HEIGHT INDICATOR



PART NUMBER	L1	L2	
HM2H07P1LF	3.0	13.45	AVAILABLE
HM2H07P109LF	3.9	14.35	AVAILABLE
HM2H07P111LF	4.1	14.55	NOT YET AVAILABLE
HM2H07P113LF	4.3	14.75	NOT YET AVAILABLE
HM2H07P115LF	4.5	14.95	AVAILABLE
HM2H07P117LF	4.7	15.15	AVAILABLE
HM2H07P119LF	4.9	15.35	AVAILABLE
HM2H07P122LF	5.2	15.65	AVAILABLE
HM2H07P130LF	6.0	16.45	AVAILABLE
HM2H07P148LF	7.8	18.25	AVAILABLE

1DEC ±0.2 2DEC ±0.1 ANGLES ±1°	APPR.	DATE	SIGN.	HM2 HEADER (TYPE A) WITH PRESS-FIT CAVITIES	
	DRAFT	1994-09-15	W. Panis	CAT. No. HM2H07P1--LF	
WE RESERVE THE RIGHT TO CHANGE DIMENSIONS OR REQUIREMENTS WITHOUT PRIOR NOTICE.	CHECKED			www.fciconnect.com	
	PROD. MGR				SCALE
	PR. ENG. MGR.				3/1
ALL DIMENSIONS IN MM	PR. MGT. MGR.				

REFERENCES



THIS IS OUR EXCLUSIVE PROPERTY. IT IS NOT TO BE COPIED, REPRINTED OR DISCLOSED TO A THIRD PARTY, NOR USED FOR MANUFACTURING WITHOUT OUR WRITTEN CONSENT, AND HAS TO BE RETURNED TO US IN CASE OF NO USAGE
 DIT IS ONZE EIGENDOM EN MAG NOCH NAGEMAAKT, HERDRIJKT, OVERGEMAAKT AAN DERDEN, NOCH VOOR FABRIKATIE GEBRUIKT WORDEN, ZONDER ONZE SCHRIFTELIJKE TOELATING. BIJ NIET GEBRUIK IS TERUGZENDING VERPLICHT.